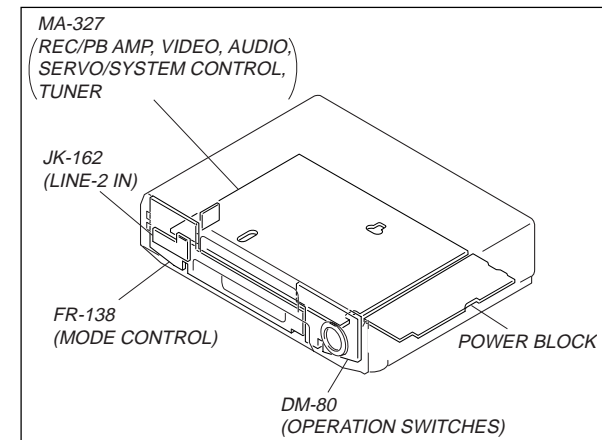
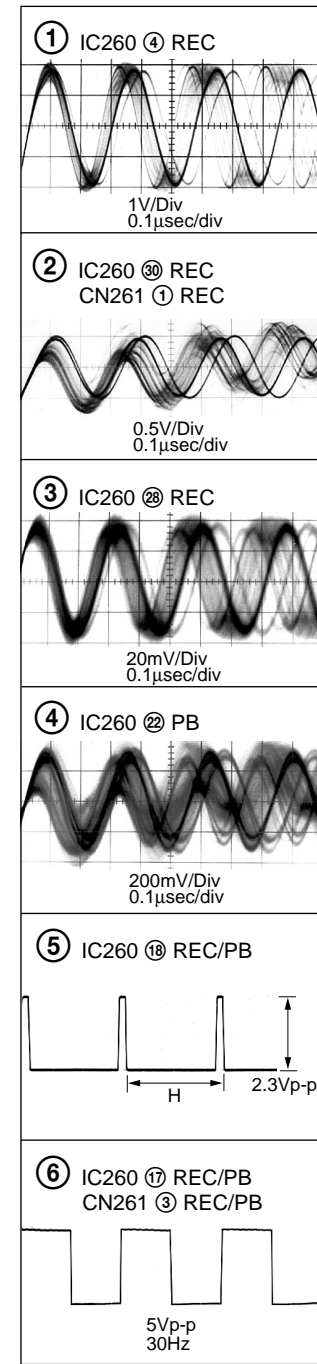


**MA-327 (REC/PB AMP) SCHEMATIC DIAGRAM**  
 — Ref. No.: MA-327 Board; 1,000 Series —

**MA-327 BOARD**

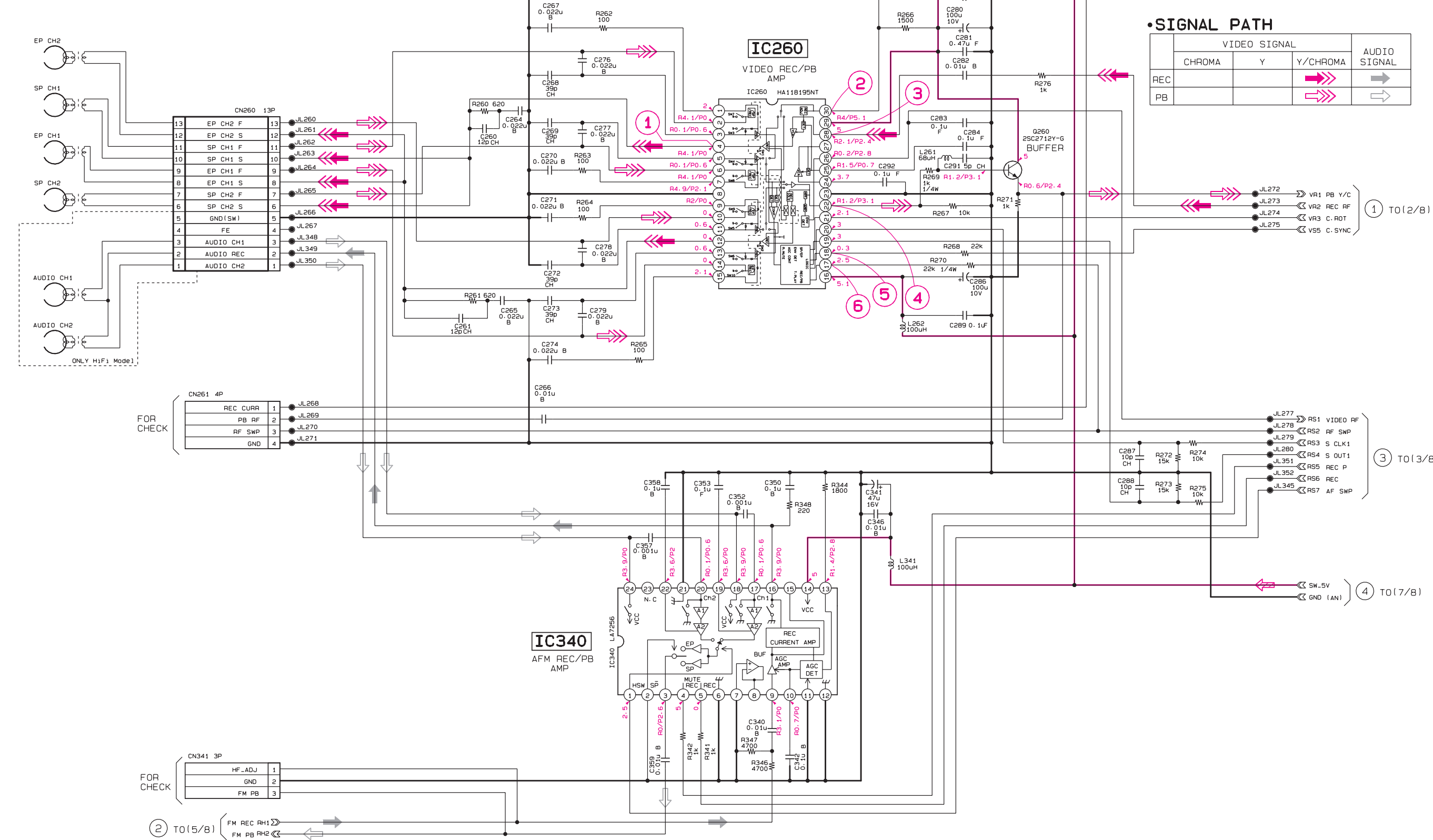
|        |      |       |      |
|--------|------|-------|------|
| CJ570  | A-3  | IC161 | I-10 |
| CN101  | C-7  | IC201 | D-5  |
| CN102  | E-2  | IC202 | E-5  |
| CN103  | I-4  | IC260 | B-8  |
| CN104  | H-11 | IC301 | B-5  |
| CN105  | J-12 | IC340 | B-10 |
| CN161  | H-11 | IC360 | B-11 |
| CN260  | B-9  | IC521 | D-1  |
| CN261  | B-7  | IC601 | E-12 |
| CN301  | B-4  | IC733 | H-13 |
| CN302  | B-5  | IC980 | B-1  |
| CN341  | C-10 |       |      |
| CN423  | C-12 | PH101 | H-8  |
| CN602  | F-1  | PH102 | H-4  |
| CN603  | H-1  |       |      |
| CNJ980 | A-2  | Q101  | F-1  |
| CNJ981 | A-2  | Q102  | F-10 |
|        |      | Q103  | F-5  |
|        |      | Q201  | C-3  |
| D103   | F-6  | Q202  | C-3  |
| D109   | H-3  | Q208  | D-4  |
| D161   | I-8  | Q209  | E-4  |
| D162   | I-8  | Q210  | E-5  |
| D370   | C-10 | Q211  | D-6  |
| D379   | B-13 | Q212  | D-2  |
| D521   | D-1  | Q260  | B-7  |
| D560   | B-3  | Q301  | C-5  |
| D561   | A-10 | Q331  | C-6  |
| D611   | J-1  | Q379  | A-13 |
| D612   | J-1  | Q386  | A-12 |
| D614   | J-1  | Q387  | A-12 |
| D702   | F-12 | Q523  | C-2  |
| D980   | A-2  | Q524  | C-2  |
| D981   | A-2  | Q525  | C-1  |
| D982   | B-1  | Q526  | D-1  |
| D983   | A-1  | Q560  | B-2  |
| D984   | A-1  | Q603  | J-3  |
|        |      | Q604  | J-6  |
| IC101  | I-3  | Q605  | I-3  |
| IC160  | H-9  | Q606  | J-2  |

**MA-327 BOARD**



**MA-327 BOARD (1/8)**  
(RP)

NO MARK: REC/PB MODE  
 R : REC MODE  
 P : PB MODE



**• SIGNAL PATH**

|     | VIDEO SIGNAL |   |          | AUDIO SIGNAL |
|-----|--------------|---|----------|--------------|
|     | CHROMA       | Y | Y/CHROMA |              |
| REC |              |   | →        | →            |
| PB  |              |   | →        | →            |

**THIS NOTE IS COMMON FOR PRINTED WIRING BOARDS AND SCHEMATIC DIAGRAMS.**  
 (In addition to this, the necessary note is printed in each block.)

- For printed wiring boards.
- : Pattern from the side which enables seeing.

**Caution :**  
 Pattern face side: Parts on the pattern face side (Conductor Side) seen from the pattern face are indicated.  
 Pattern face side: parts on the parts face side seen from the parts face are indicated.

- For schematic diagrams.
- Caution when replacing chip parts. New parts must be attached after removal of chip. Be careful not to heat the minus side of tantalum capacitor, because it is damaged by the heat.
- All resistor are in ohms, 1/4W unless otherwise noted. Chip resistor are 1/10W unless otherwise noted. kΩ: 1000Ω, MΩ: 1000kΩ.
- All capacitors are in μF unless otherwise noted. pF: μμF. 50V or less are not indicated except for electrolytics and tantalums.
- : panel designation.
- Δ : internal component.
- — : B+ Line. \*
- - - - : B- Line. \*
- ⇄ : IN/OUT direction of (+,-) B LINE. \*
- Circled numbers refer to waveforms. \*
- Readings are taken with a color-bar signal input.
- Voltage are dc between ground and measurement points.\*
- Readings are taken with a digital multimeter (DC10MΩ).\*
- Voltage variations may be noted due to normal production tolerances.\*

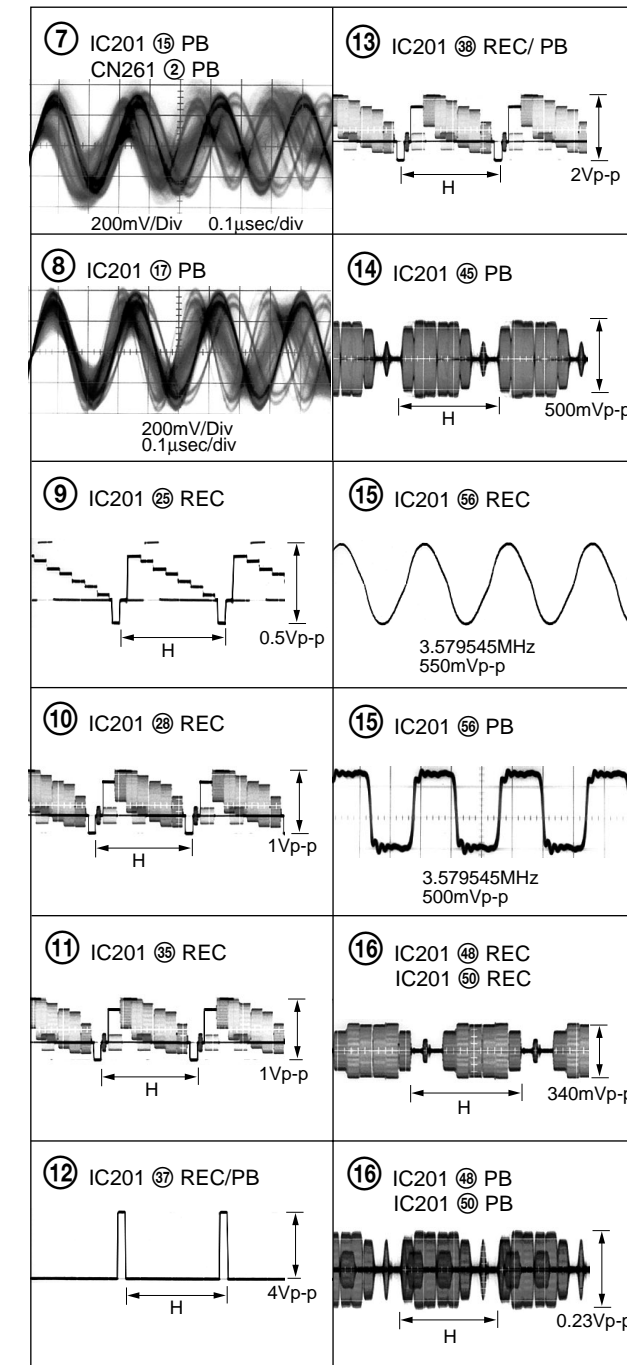
When indicating parts by reference number, please include the board name.

- \* : indicated by the color red.

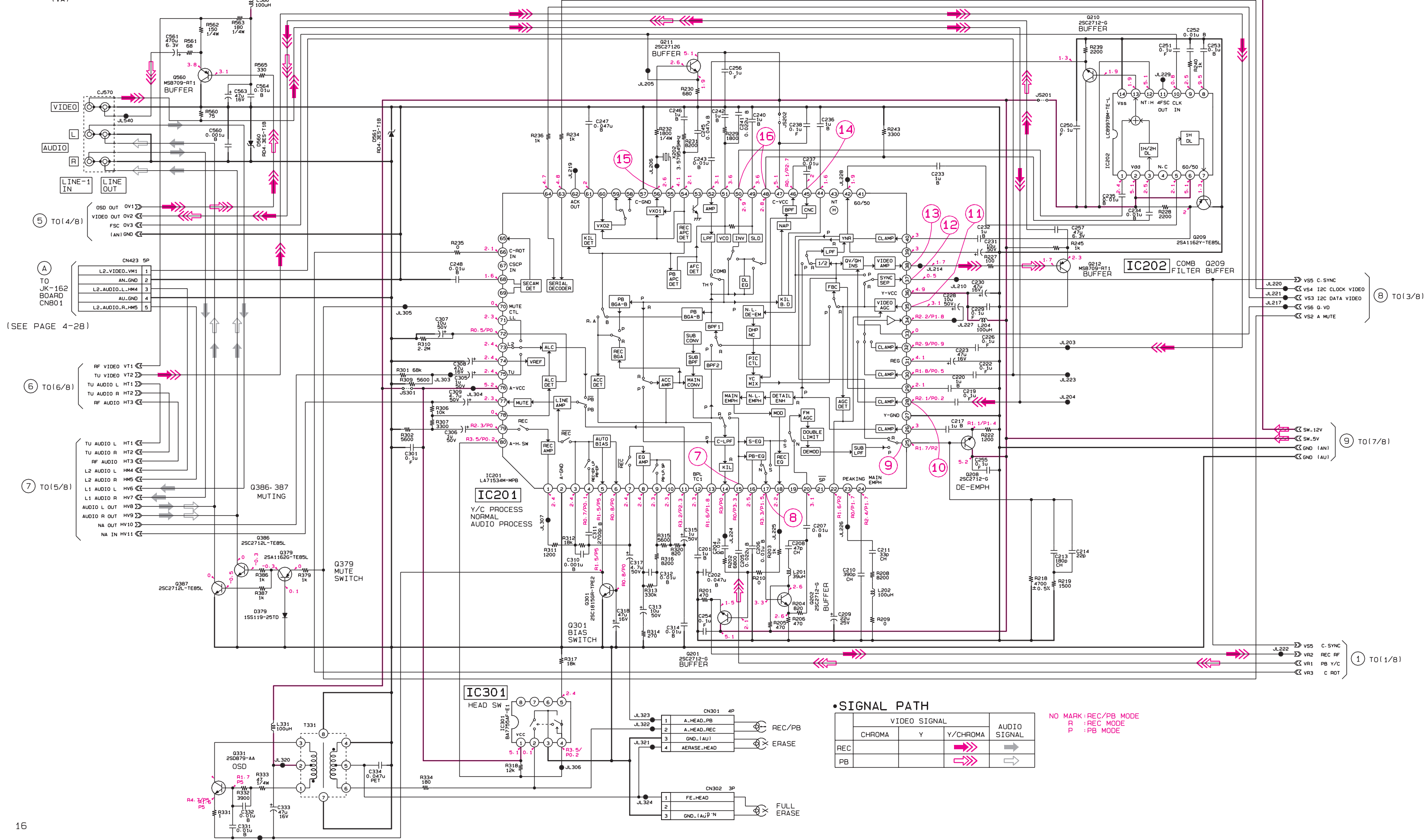
**MA-327 (VIDEO, NORMAL AUDIO) SCHEMATIC DIAGRAM**

— Ref. No.: MA-327 Board; 1,000 Series —  
 • See page 4-3 for MA-327 BOARD printed wiring board.

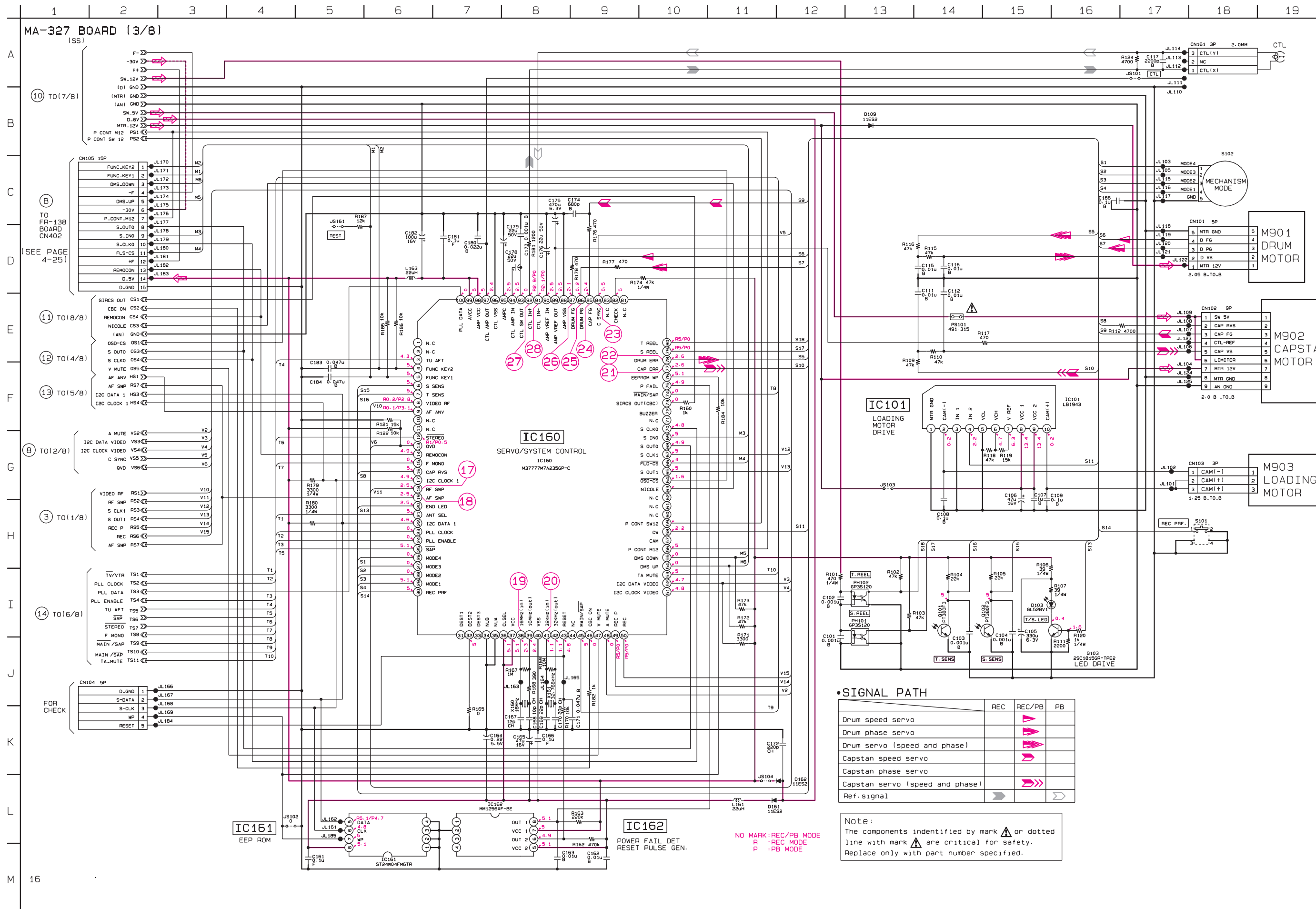
**MA-327 BOARD**



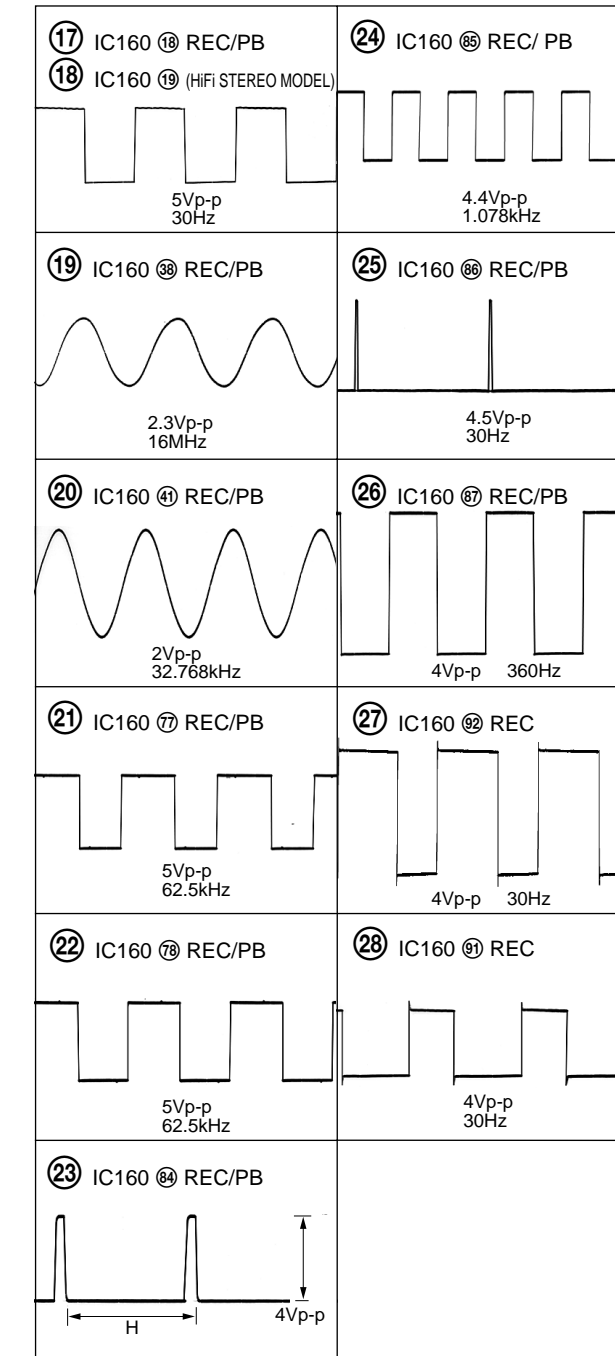
**MA-327 BOARD (2/8)**  
(VA)



MA-327 (SERVO/SYSTEM CONTROL) SCHEMATIC DIAGRAM • See page 4-3 for MA-327 BOARD printed wiring board.  
 — Ref. No.: MA-327 Board; 1,000 Series —



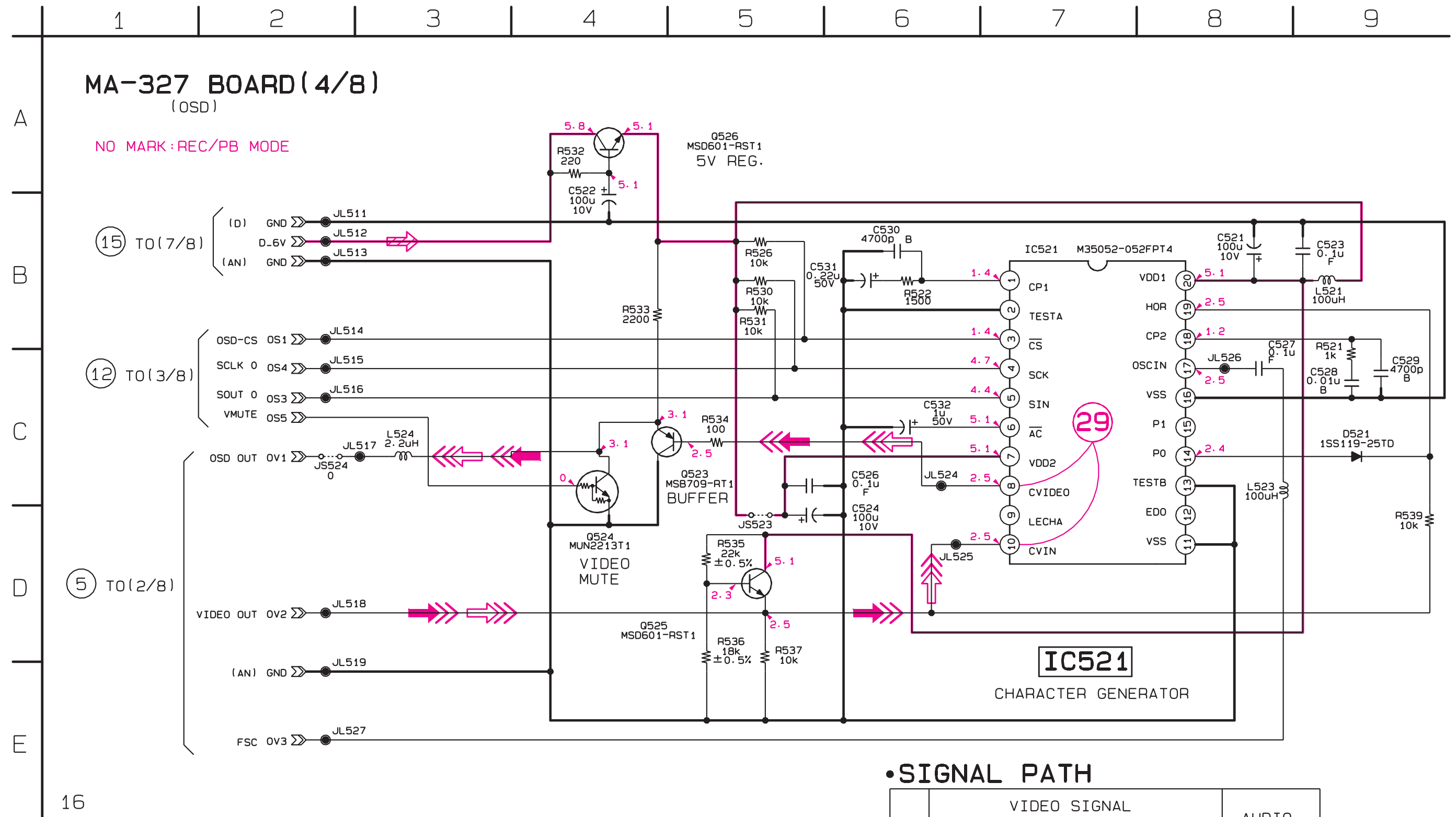
MA-327 BOARD



• SIGNAL PATH

|                                 | REC | REC/PB | PB |
|---------------------------------|-----|--------|----|
| Drum speed servo                |     | ▶      |    |
| Drum phase servo                |     | ▶      |    |
| Drum servo (speed and phase)    |     | ▶      |    |
| Capstan speed servo             |     | ▶      |    |
| Capstan phase servo             |     | ▶      |    |
| Capstan servo (speed and phase) |     | ▶      |    |
| Ref. signal                     | ▶   |        | ▶  |

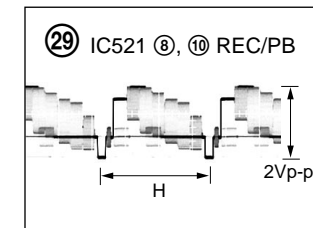
Note:  
 The components identified by mark  $\Delta$  or dotted line with mark  $\Delta$  are critical for safety.  
 Replace only with part number specified.



•SIGNAL PATH

|     | VIDEO SIGNAL |   |          | AUDIO SIGNAL |
|-----|--------------|---|----------|--------------|
|     | CHROMA       | Y | Y/CHROMA |              |
| REC |              |   | ➡➡➡      |              |
| PB  |              |   | ➡➡➡      |              |

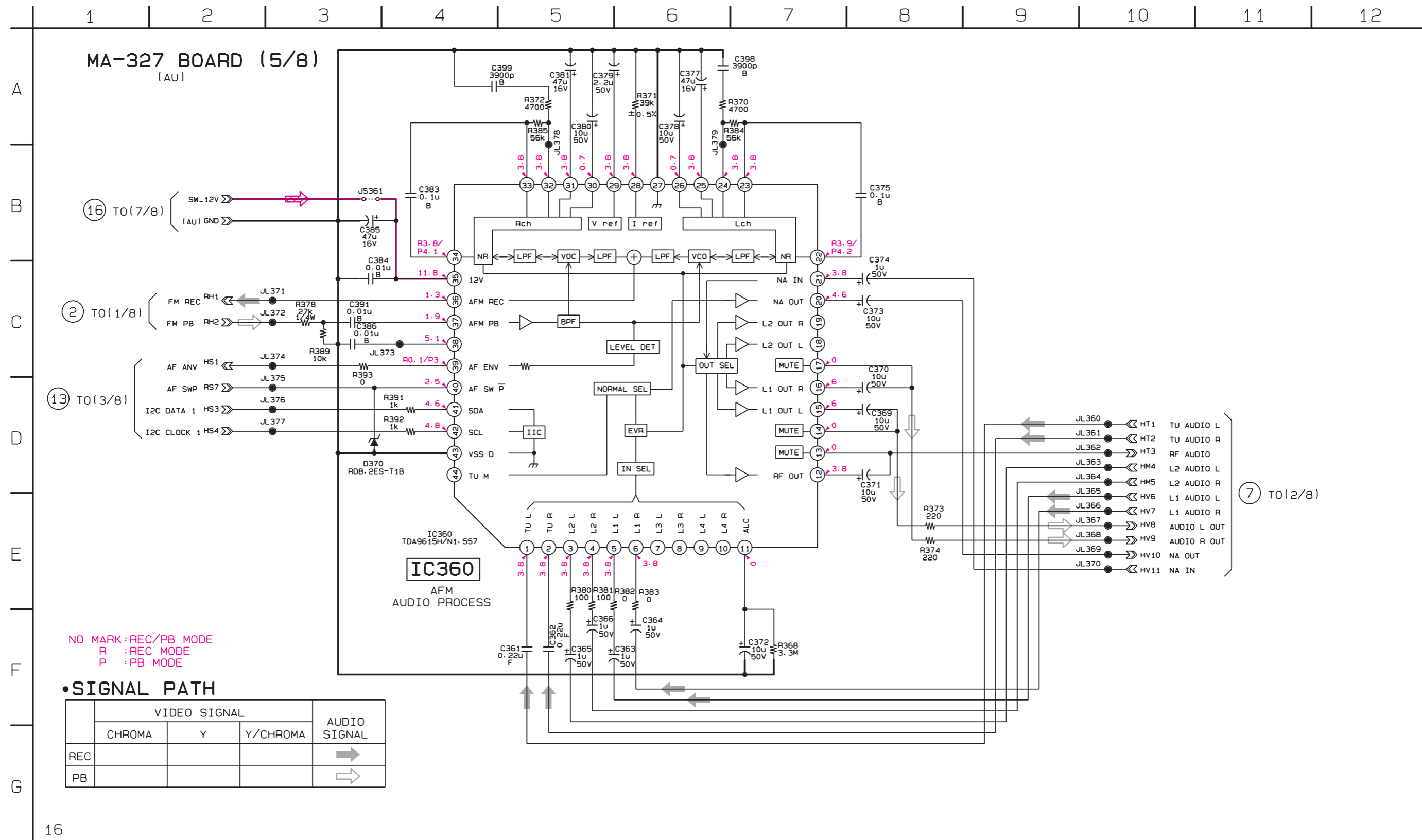
MA-327 BOARD



ON SCREEN DISPLAY  
MA-327 (4/8)

MA-327 (AFM AUDIO) SCHEMATIC DIAGRAM  
 — Ref. No.: MA-327 Board; 1,000 Series —

• See page 4-3 for MA-327 BOARD printed wiring board.



MA-327 (TUNER) SCHEMATIC DIAGRAM  
 — Ref. No.: MA-327 Board; 1,000 Series —

• See page 4-3 for MA-327 BOARD printed wiring board.

1 2 3 4 5 6 7 8 9 10 11 12

A

MA-327 BOARD (6/8)  
(TU)

NO MARK: REC/PB MODE

B

C

D

E

F

G

⑥ TO(2/8)

RF VIDEO VT1  
TU VIDEO IN VT2

⑰ TO(7/8)

SW-12V  
30V  
SW-5V  
(AN) GND

⑭ TO(3/8)

TV/VTR TS1  
PLL CLOCK TS2  
PLL DATA TS3  
PLL ENABLE TS4  
TU AFT TS5  
SAP TS6  
STEREO TS7  
F MONO TS8  
MAIN/SAP TS9  
MAIN/SAP TS10  
TA MUTE TS11

⑥ TO(2/8)

TU AUDIO L HT1  
TU AUDIO R HT2  
RF AUDIO HT3

• SIGNAL PATH

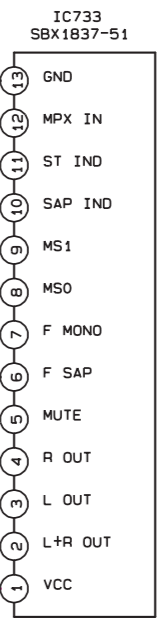
|     | VIDEO SIGNAL |   |          | AUDIO SIGNAL |
|-----|--------------|---|----------|--------------|
|     | CHROMA       | Y | Y/CHROMA |              |
| REC |              |   | ➡➡➡      | ➡            |
| PB  |              |   |          |              |

Note:  
The components identified by mark ⚠ or dotted line with mark ⚠ are critical for safety. Replace only with part number specified.

Note:  
Les composants identifiés par une marque ⚠ sont critiques pour la sécurité. Ne les remplacer que par une pièce portant le numéro spécifié.



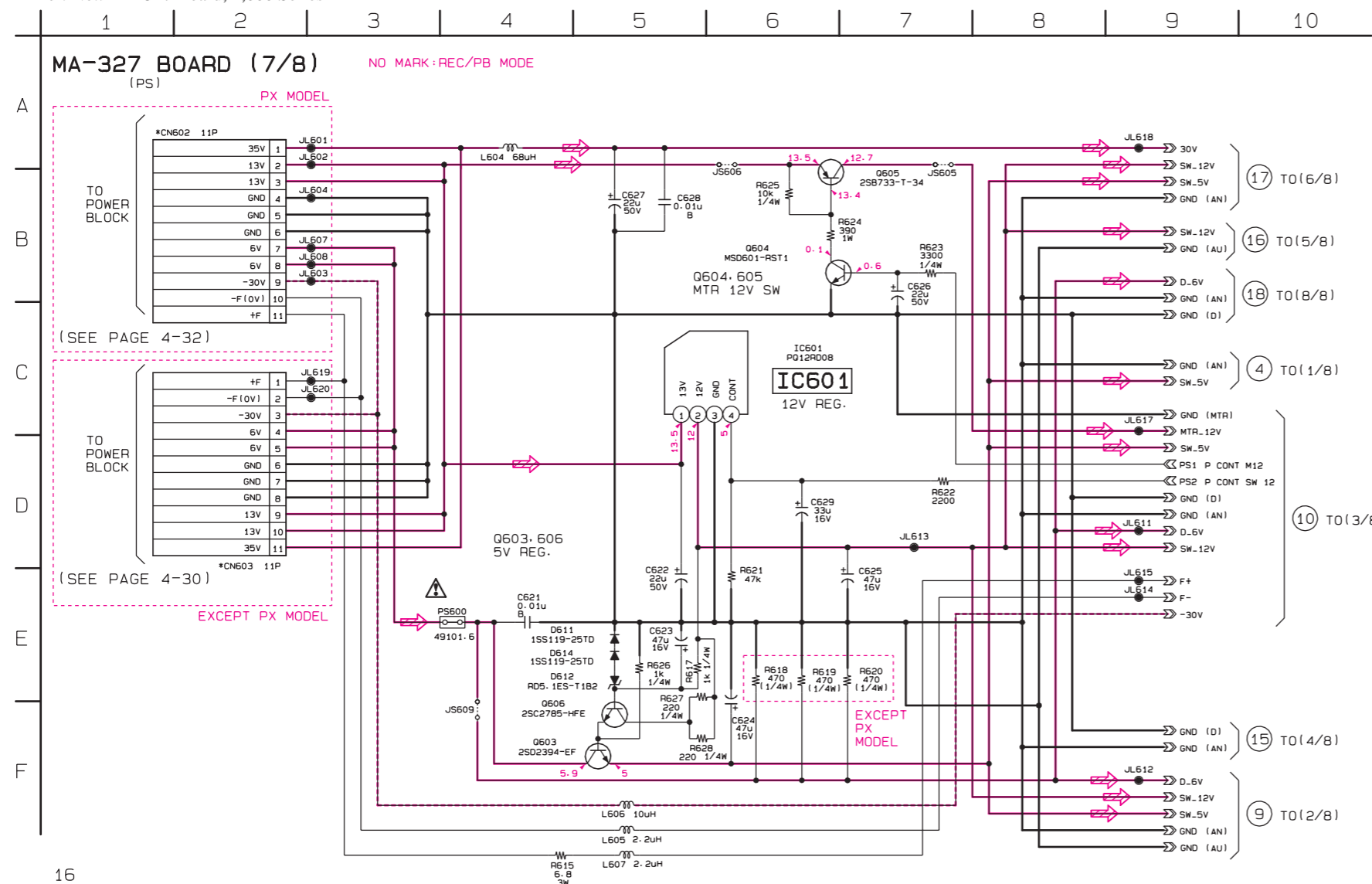
IC733



MA-316 (POWER SUPPLY, AV-BUS) SCHEMATIC DIAGRAM

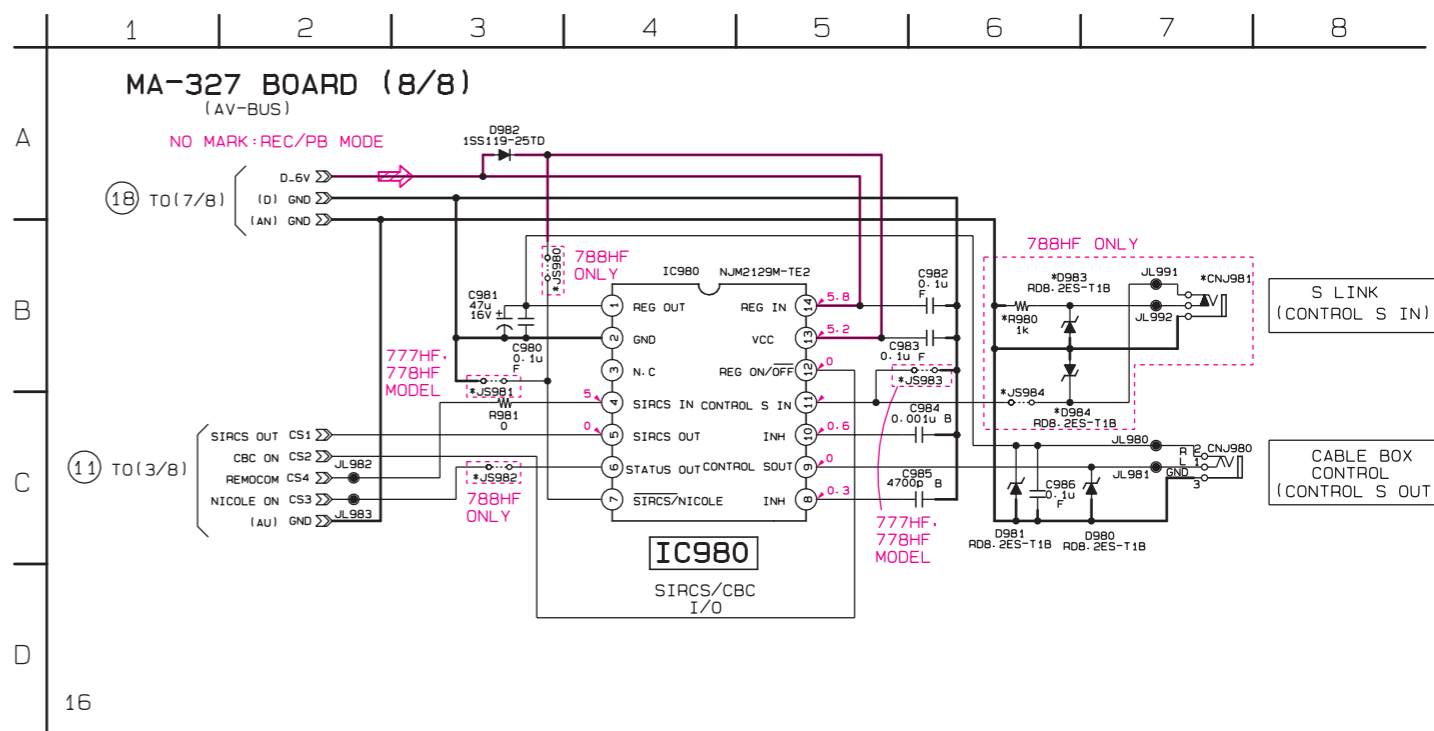
• See page 4-3 for MA-327 BOARD printed wiring board.

— Ref. No.: MA-327 Board; 1,000 Series —

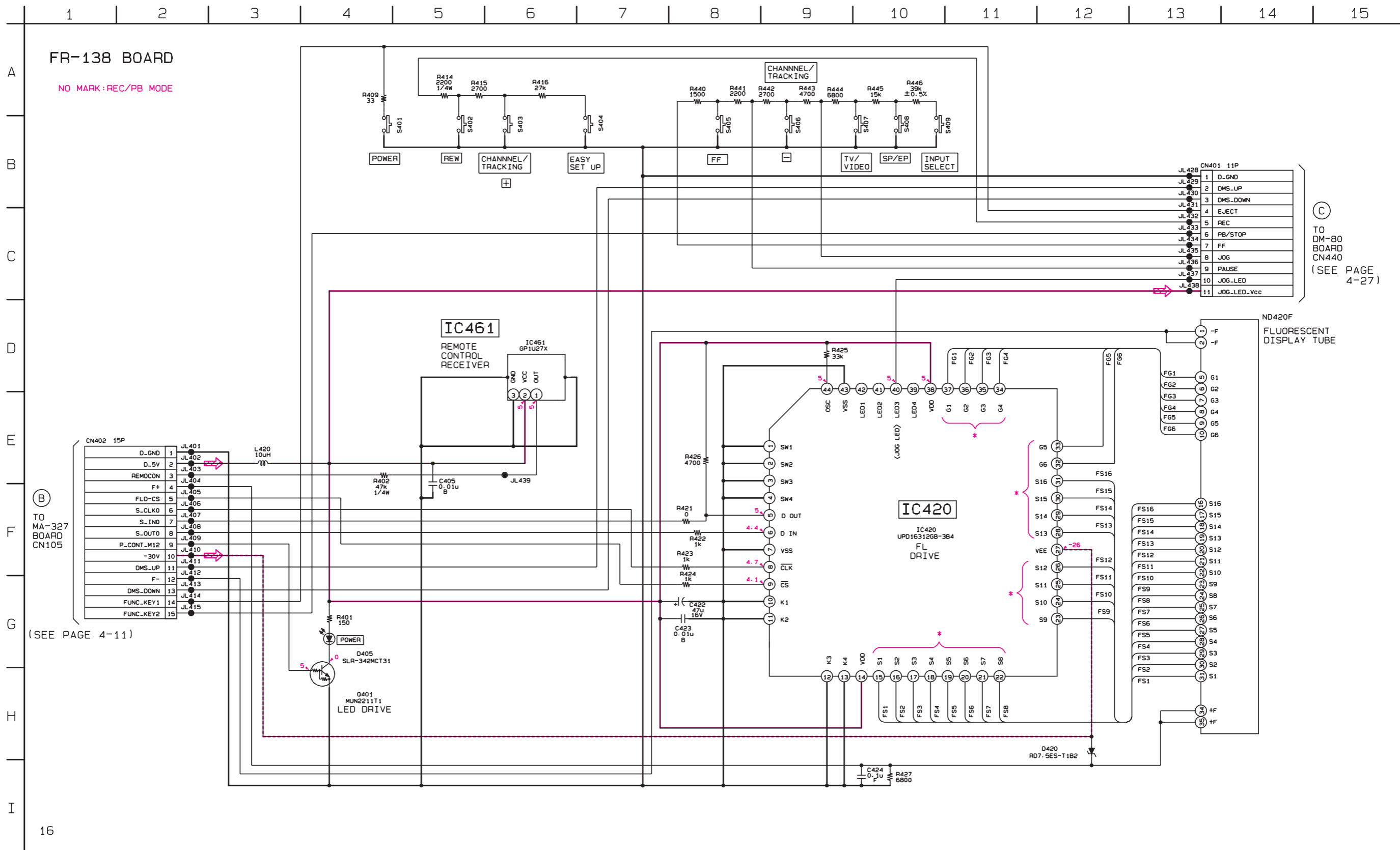


Note:  
 The components identified by mark or dotted line with mark are critical for safety. Replace only with part number specified.

Note:  
 Les composants identifiés par une marque sont critiques pour la sécurité. Ne les remplacer que par une pièce portant le numéro spécifié.



**FR-138 (MODE CONTROL) SCHEMATIC DIAGRAM**  
 — Ref. No.: FR-138 Board; 2,000 Series —



(B) TO MA-327 BOARD CN105

(C) TO DM-80 BOARD CN440 (SEE PAGE 4-27)

(SEE PAGE 4-11)



**DM-80 (OPERATION SWITCHES) PRINTED WIRING BOARD AND SCHEMATIC DIAGRAM**

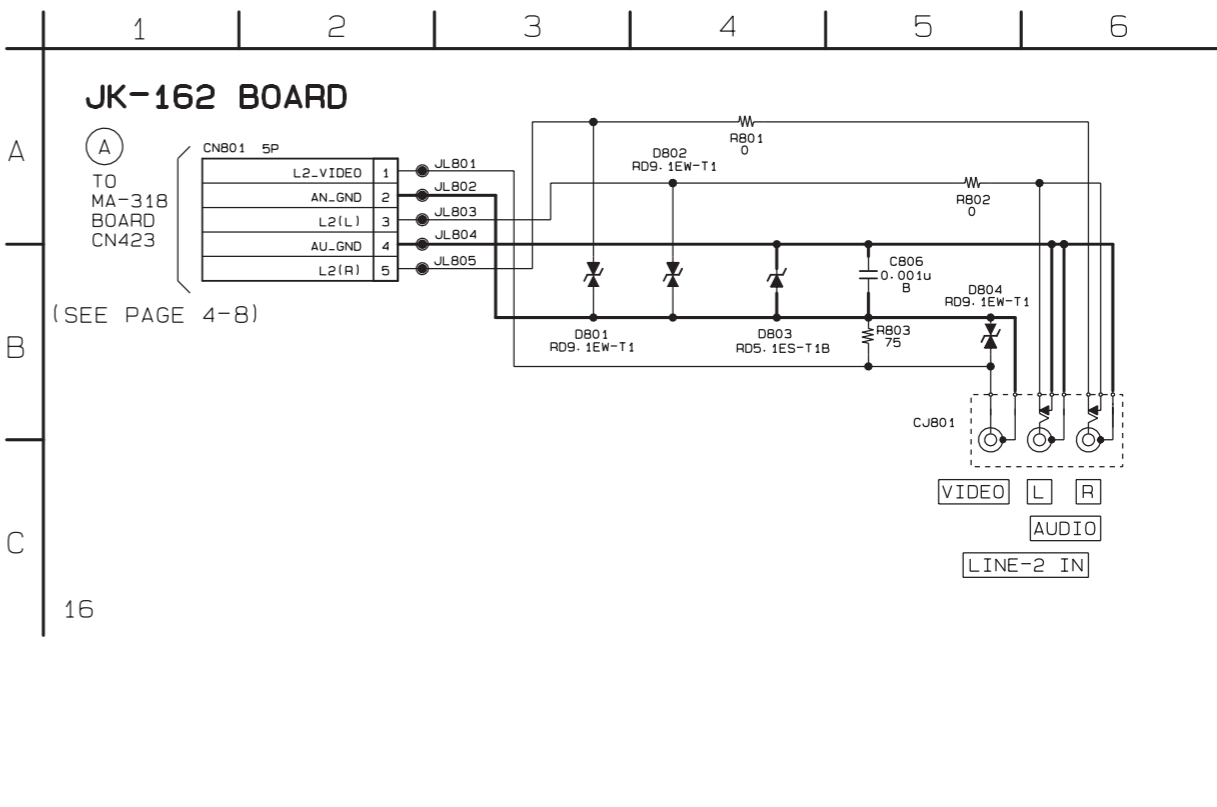
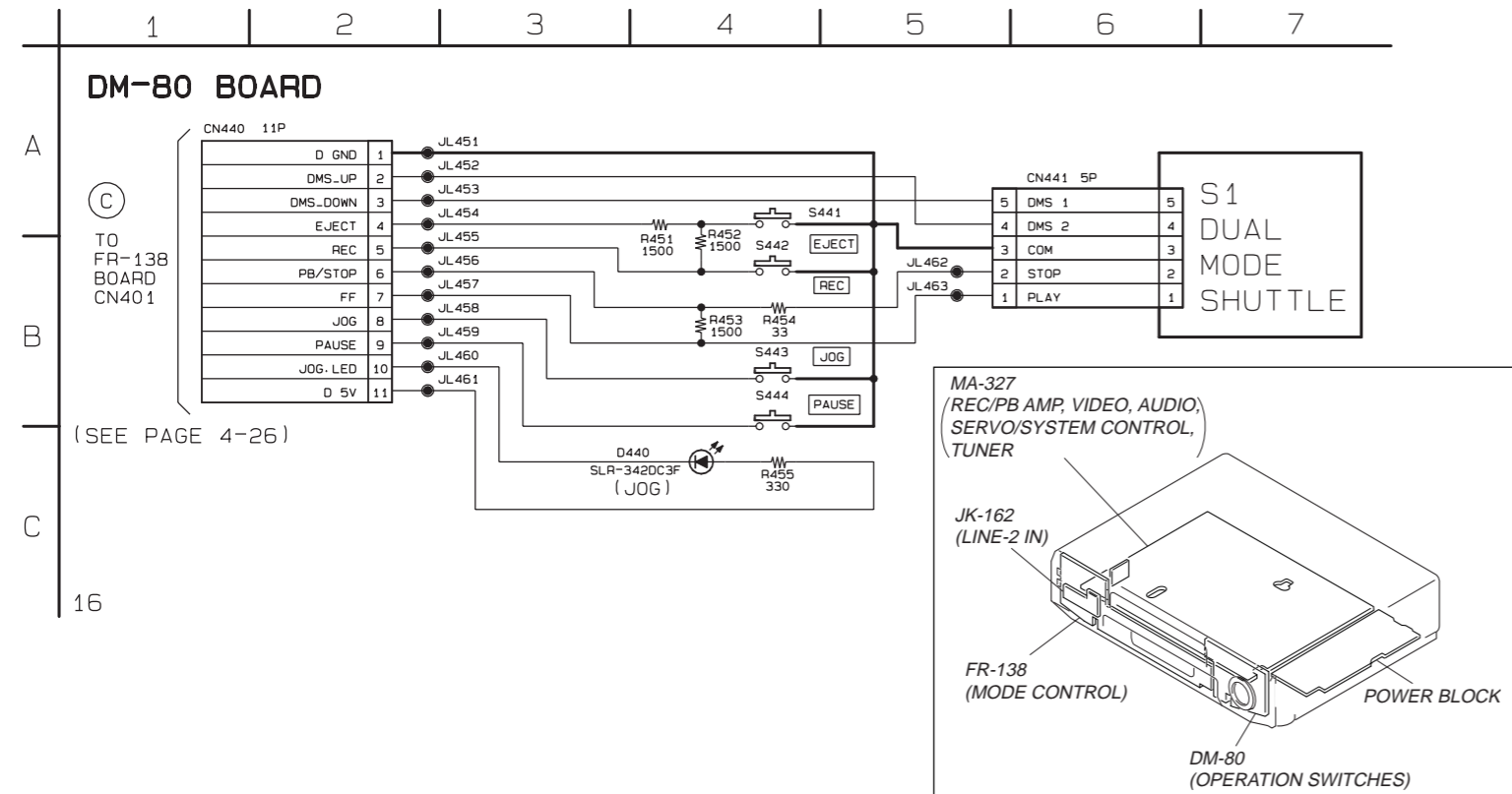
— Ref. No.: DM-80 Board; 2,000 Series —

There are few cases that the part printed on this diagram isn't mounted in this model.

**JK-162 (LINE-2 IN) PRINTED WIRING BOARD AND SCHEMATIC DIAGRAM**

— Ref. No.: JK-162 Board; 2,000 Series —

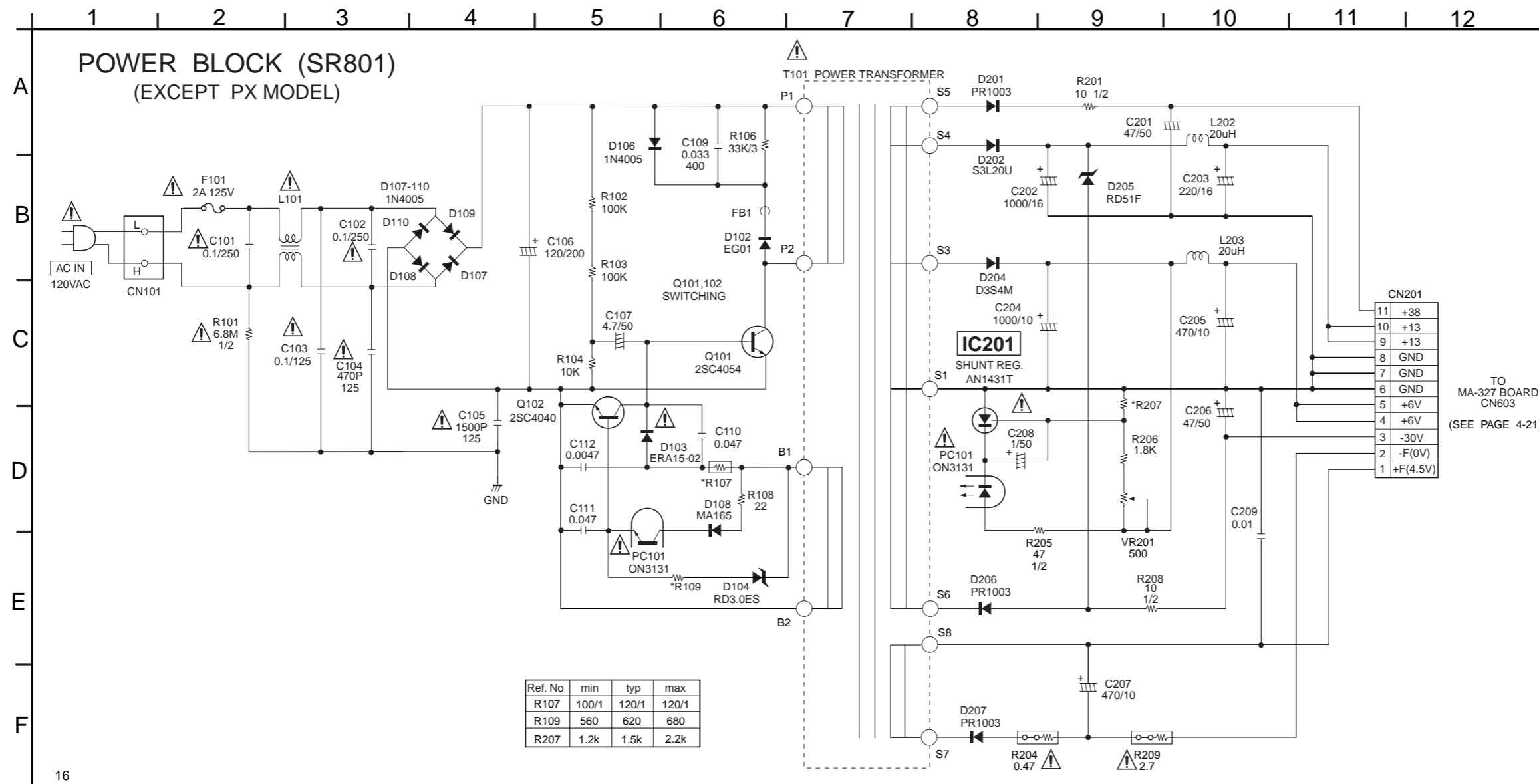
There are few cases that the part printed on this diagram isn't mounted in this model.



**POWER BLOCK SR801 (SWITCHING REGULATOR) PRINTED WIRING BOARD AND SCHEMATIC DIAGRAM**

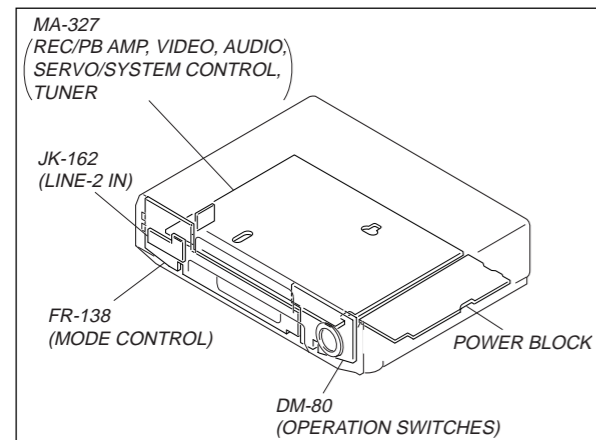
— Ref. No.: SR801 Board; 8,000 Series —

There are few cases that the part printed on this diagram isn't mounted in this model.



**Note :**  
The components identified by mark  $\Delta$  or dotted line with mark  $\Delta$  are critical for safety. Replace only with part number specified.

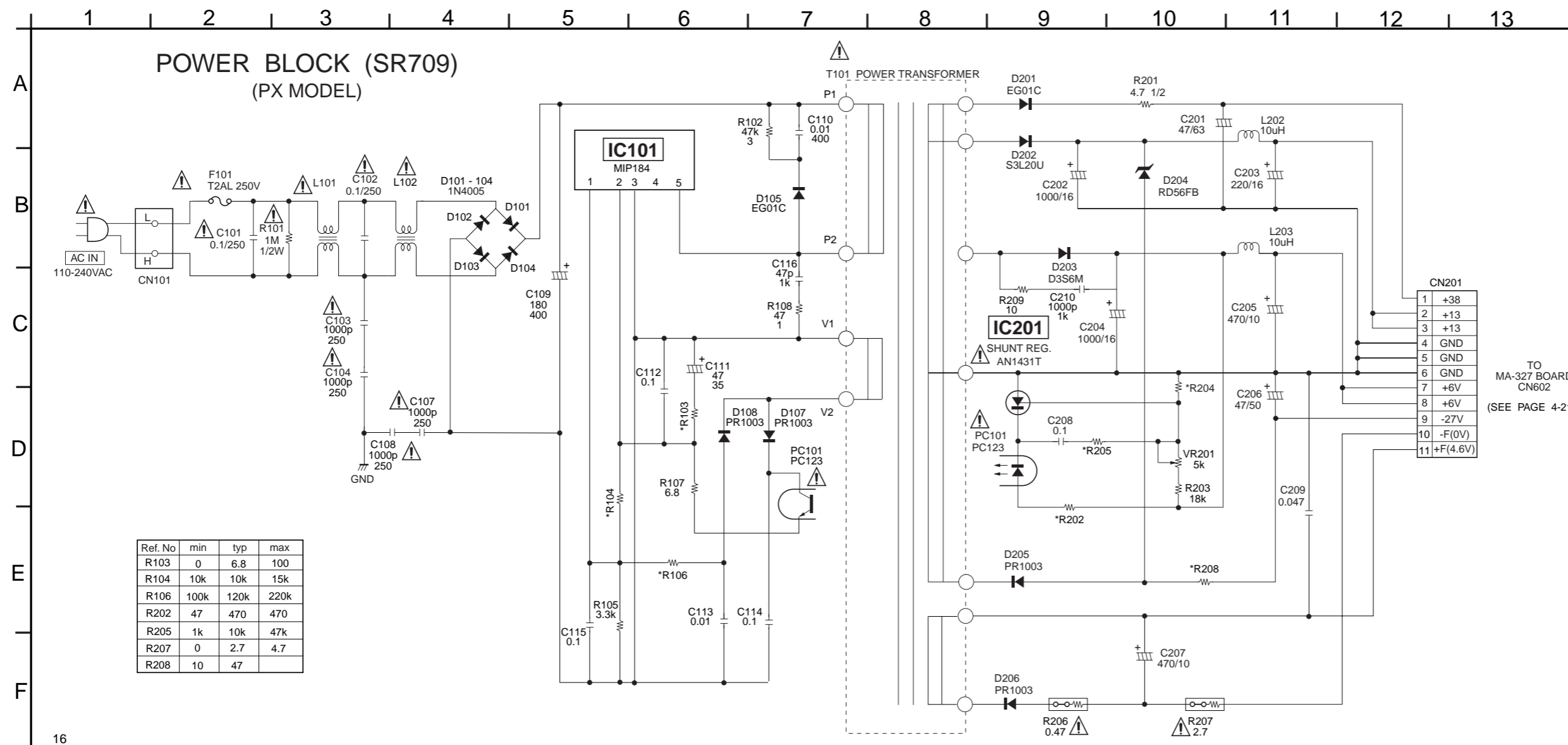
**Note :**  
Les composants identifiés par une marque  $\Delta$  sont critiques pour la sécurité. Ne les remplacer que par une pièce portant le numéro spécifié.



POWER BLOCK SR709 (SWITCHING REGULATOR) PRINTED WIRING BOARD AND SCHEMATIC DIAGRAM

— Ref. No.: SR709 Board; 9,000 Series —

There are few cases that the part printed on this diagram isn't mounted in this model.



**Note :**  
The components identified by mark  $\Delta$  or dotted line with mark  $\Delta$  are critical for safety. Replace only with part number specified.

**Note :**  
Les composants identifiés par une marque  $\Delta$  sont critiques pour la sécurité. Ne les remplacer que par une pièce portant le numéro spécifié.

